

# iGLO LED Titan Shoebox Series G14 - 240W

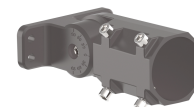
ENVIRONMENTALLY FRIENDLY, ENERGY EFFICIENT

**iGLOLED**  
IGLOLED.NET



## Features

- Lumileds Chip, high CRI
- No UV or IR in the beam
- cULus, DLC certificates
- Easy to install and operate
- Energy saving and long lifespan
- Light is soft and uniform, safe to eyes
- Input voltage 120-277VAC
- Green and eco-friendly without mercury
- Instant start, NO flickering, NO humming
- Output constant current lever can be adjusted through output cable with 1-10V

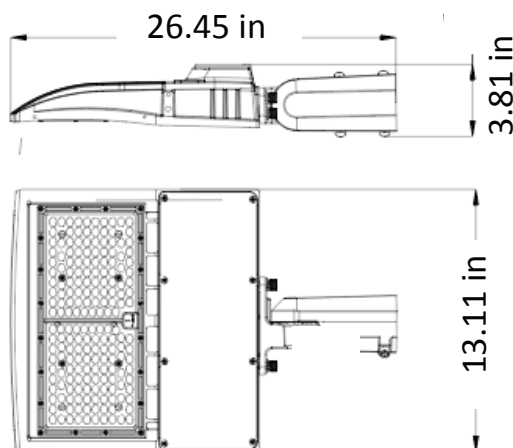


ADJUSTABLE  
SLIP FITTER MOUNTING (AM)

## Applications

Outdoor basketball court,  
tennis and badminton courts,  
school playgrounds, football  
fields, stadiums etc.

## Product Dimension



ADJUSTABLE SLIP FITTER MOUNTING (AM)

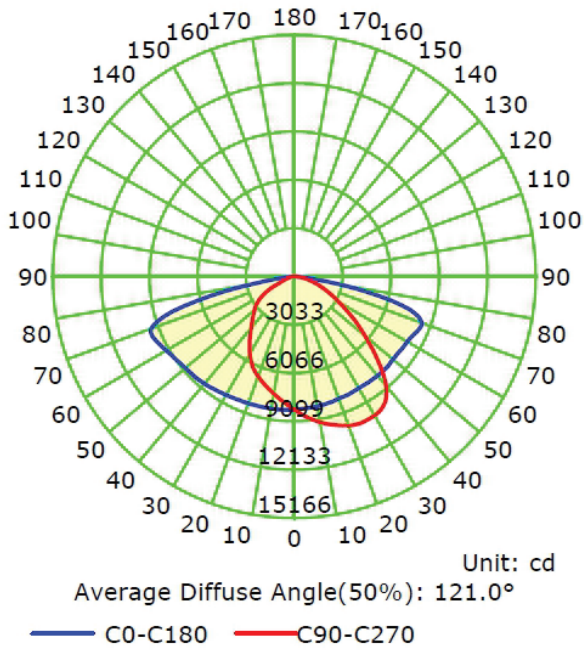
## PRODUCT SPECIFICATIONS

<b>iGLO LED Titan Shoebox Series:</b>	
<b>Mounting Installation:</b>	<b>Slip Fitter Mounting</b>
Wattage:	240W
Lumens:	33225 LM
CCT:	5000K
Input Voltage:	120-277VAC, 50/60 Hz
Power Factor:	≥0.90
Efficacy:	137.8 LM/W
CRI:	>80
THD:	≤20%
Beam Angle:	150*100°
Operating Temperature:	-35°C to 50°C
Housing:	Aluminum Die Casting
Housing Color:	Brown, Black, or Customizable
Waterproof Rating:	WET (IP65)
Certificates:	DLC Premium, cULus
Warranty:	5 Years
EPA:	2.1 ft <sup>2</sup>

Mounting Type	Box Size	Qty/Carton	Net Weight	Gross Weight
(AM) Adjustable SlipFitter Mounting	29.52*15.15*6.1 in	1 PC	6.5 kg	7.7 kg

## PHOTOMETRIC DATA

Luminous Intensity Distribution Curve



The Average Illuminance Effective Figure

